

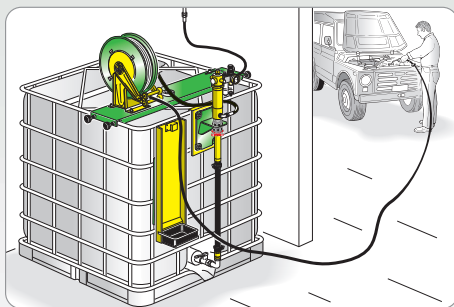
with pump connected to tank drain

System for dispensing from tank with pump applied to the drain.

A complete solution for dispensing oil and allied products.

The dispensing pump and hose reel are fixed directly to the tank by means of sturdy brackets. The pump connection is fixed to the tank drain.

Note: The tank is not part of the Kit



Art. 36650 (R 3:1 - 14 l/min)

Art. 36660 (R 5:1 - 18 l/min)

Art. 36670 (R 5:1 - 45 l/min)

Art. 36675 (R 7:1 - 30 l/min)

Art. 36650

Dispensing kit for oil and allied products with pump connected to the tank drain and hose reel, complete with:

- Art. 35160 pump R 3:1 - 14 l/min
- Art. 38043 pump support bracket
- Art. 8430.401 hose reel with 10 m hose \varnothing 1/2"
- Art. 38028 flexible suction hose - Art. 38091 check valve
- Art. 37735 metering gun - Art. 36641 support bracket
- Art. 88630 drip tray - Art. 38071 nipple 1/2" x 1/2" G M/M

No. 4 packing m^3 0,260 kg 50

Art. 36660

Dispensing kit for oil and allied products, equipped like

- Art. 36650 but with: Art. 36060 pump R 5:1 - 18 l/min

No. 4 packing m^3 0,260 kg 51

Art. 36670

Dispensing kit for oil and allied products with pump connected to the tank drain and hose reel, complete with:

- Art. 90C/51 pump R 5:1 - 45 l/min
- Art. 10/10 pump support bracket
- Art. 8540.401 hose reel with 15 m hose \varnothing 3/4"
- Art. 38028 flexible suction hose
- Art. 38091 check valve - Art. 37771 metering gun 1/2"
- Art. 36641 support bracket - Art. 88630 drip tray
- Art. 33119 nipple 1" x 3/4" G - MM

No. 4 packing m^3 0,280 kg 72

Art. 36675

Dispensing kit for oil, equipped like Art. 36670 but with:

- Art. 90C/71 pump R 7:1 - 30 l/min

No. 4 packing m^3 0,280 kg 71

