



Modular drip-tray for hose-reel

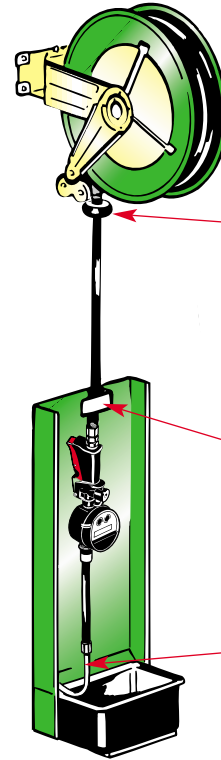
Art. 88630



Equipped with gun hook and removable tray.

Indispensable, applied under any hose-reel for holding the gun, and for keeping the wall and place clean and safe.

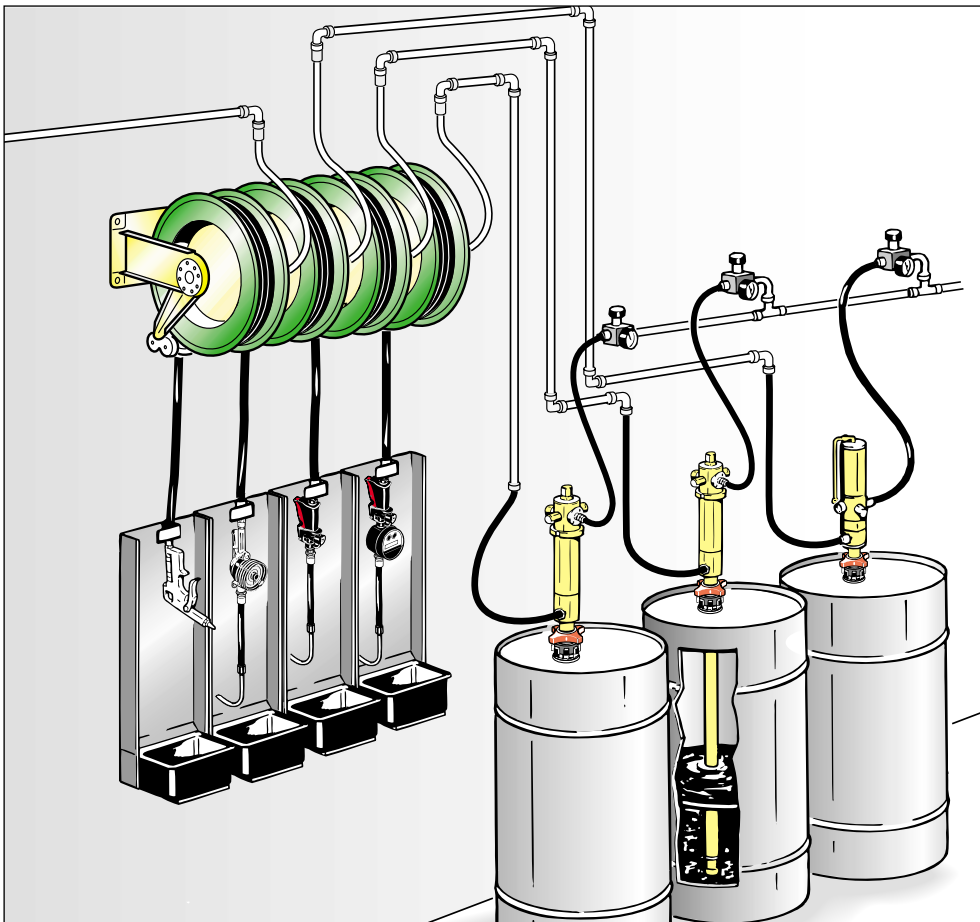
 N° 1 packing m^3 0,030  kg 5,3



The hose-stop must be clamped in a position enabling the delivery gun, when hose-reel is not in use, to rest inside the drip-tray.

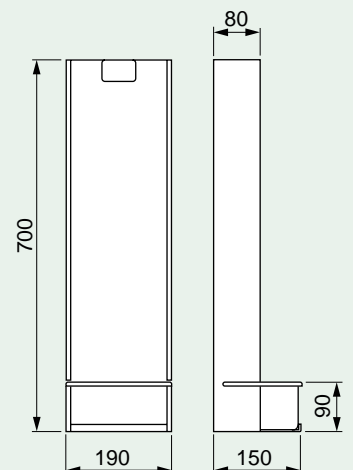
The drip-tray hook is used for easily hooking the hose when not in use, and not the delivery gun.

When not being used, the gun must have its terminal placed inside the drip-tray.



The width of the drip-tray is calculated to guide installation of hose-reels assembled in series.

Overall dimensions



art. 88630